



## Main features

### Printing type



Barcode



Logos



Alphanumeric text

### Maximum height



0-15 mm



16-100 mm



Above 100 mm

### Printing surfaces



Primary packaging



Secondary packaging



Raw material

- Exclusive high definition printheads for printing on porous substrates.
- Suitable to drive simultaneously up to two printheads either 102 mm (4") (T768) or 51 mm (2") (T384).
- The unique system for printing on two sides of a single package and for sideways and top-down coding up to 102mm, industry leading print height.
- Eternal lifecycle printhead, the unique with a stainless steel printhead nozzle plate can be disassembled and repairable, patented for printing barcodes in accordance with the GS1 coding standard.
- New interface with unrivaled 12,1" SVGA full colour touch-screen panel, an Industrial SSD (Solid State Disk) Hard Disk, New .NET programming software for an easy integration with network management software.

# Z640PLUS 3.0

## TECHNICAL SPECIFICATIONS

### PRINTING CHARACTERISTICS

- Drives simultaneously up to 2 printheads either 102 mm (4") type (T768) or 51 mm (2") type (T384)
- Line speed capability: up to 90 mt/min (295 ft/min)
- Available fonts: all Windows True Type
- Bold factor: up to 6 times
- High quality graphic images printing
- Message storage: up to 50 GB
- Automatic date, time, off sets and expiry date multifunctions
- Incrementing/decreasing alphanumeric product counters up to 9 digits
- Repeat print - message function
- Field orientation: 0°, 90°, 180°, 270°
- Fixed and variable text field types and bar codes (automatic or external)

### BAR CODES (2D AND LINEAR)

- GS1 128, Code 128, ITF, EAN 8, EAN 13, UPC A, Code 39, 2/5 Industrial, 2/5 Interleaved, CodaBar, PDF 417, DataBar, Data Matrix, QR
- All the bar codes can be made in static or dynamic form

### CONSTRUCTION CHARACTERISTICS

- Stainless Steel structure AISI 304
- IP54 rating
- Printing head - console distance: up to 5 mt (16,4 ft)

### GENERAL FEATURES

- Easy message creation with enhanced and powerful programming software
- Simplified images and texts formatting with Stretch and Drag&Drop functions
- Fast and reactive user interface with a 12,1" SVGA full colour touch-screen panel
- Print parameters stored within each message
- Report function for executed printing counter, verifiable via ethernet
- Operator Multi - Level password access with Screen Lock protection
- Communication to management programs and software
- Operator interface and operating system with extended foreign languages and alphabets (Arabic, Chinese, Cyrillic...)
- Auto real-time printing cost calculation
- Windows 7 Embedded operative system
- 64 GB SATA Hard Disk SSD (Solid State Disk)
- Fanless native 1 GHz microprocessor with 1 GB RAM DDR3 storage

### PRINTHEADS

- Stainless steel structure AISI 304
- Industrial Piezoelectric technology
- Horizontal resolution up to 600 Dpi
- Vertical resolution 192 Dpi
- Stainless steel AISI 316 single orifice plate

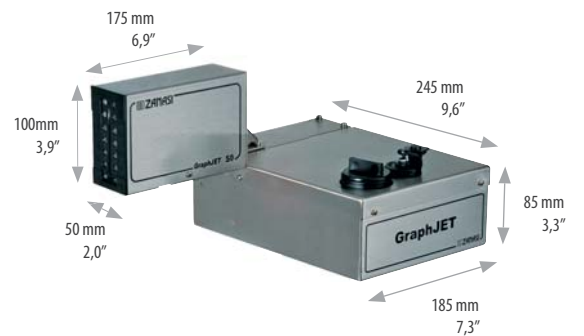
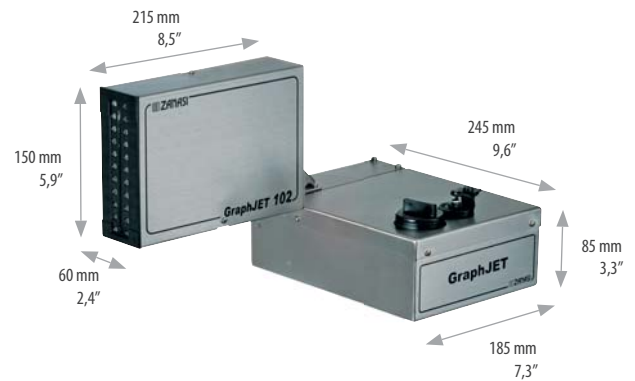
- Serviceable and replaceable nozzle group
- Sideways (0° and 90°) and top-down printing with integrated or remote printhead
- High contrast pigmented inks
- Rapid dry and high adhesion inks
- Integrated robust shock and vibration proof system
- Innovative purge system (Automatic Maintenance Purge Module™)
- Innovative ink and printhead heater system
- Dual ink feed improves flow rates for high printing speed and smooth ink delivery
- Ink tank 5 gallons (optional)
- Dimensions printhead T768: 215 mm x 60 mm x 150 mm (8,5" x 2,4" x 5,9")
- Dimensions printhead T384: 175 mm x 50 mm x 100 mm (6,9" x 2,0" x 3,9")

### EXTERNAL CONNECTIONS

- Scanner connection for printed bar code validation
- Ethernet interface for LAN connection 10/100/1000 Mbit
- Wi-Fi and Bluetooth connection (optional)
- Optical sensor for product detection
- Parallel interface BCD
- Shaft encoder input for variable speed production lines
- External alarm outputs with traffic light column
- Remote service via internet
- L@ncode® software for remote management
- System Ready output
- N°2 USB port version 2.0
- N°2 Serial port RS232
- Teamvieww licence for quick on-line access and support

### ENVIRONMENT/ELECTRICAL REQUIREMENTS

- Temperature: from 5° to 45°C (40°-113°F)
- Humidity: 0 - 90% (non-condensing)
- Single Phase, 80-240 Vac, 50-60 Hz, 100 VA



Use a QR code reader to see the product page